



# Harol SL400

The Harol **SL400 side wind and sun awning** unfurls however you want. Out of the wind but in the sun? Or do you prefer to be in the shade? You can choose and just enjoy the results because this awning also screens your terrace, balcony or garden from being overlooked.



Out of the wind, in the sun or in the shade? The choice is yours!

Awnings

Side wind and sun awning

Storelight

31 Veranda sunblinds





SL400

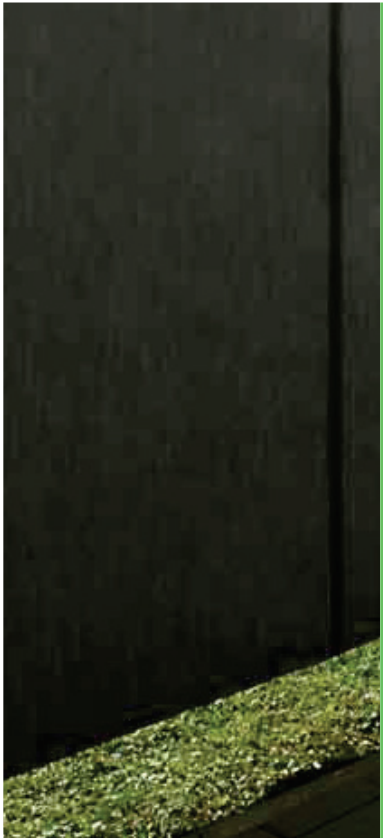
## Innumerable options

This awning allows you to turn your terrace into a budget-friendly and original 'outdoor room' in the blink of an eye. The various fitting options mean you can be protected against wind or excessively bright sun anywhere in your **garden** or on your **terrace** or **balcony**. You can also choose between a **straight or oblique wind and sun awning**. The latter is very useful if, for example, you want to use the SL400 as the ideal side closure in **combination with a folding arm awning**.

## Simple operation

You can operate this wind and sun awning in a trice. The **pull rod with handle** is pulled out and hooked into a fixed **bracket profile**.

A **wheel** underneath the pull rod guarantees even smoother operation. The awning fabric is tensioned by an **integrated coiled spring**. A **safety system** [child lock] prevents the awning rolling up unexpectedly.





SL400

Awnings

Side wind and sun awning

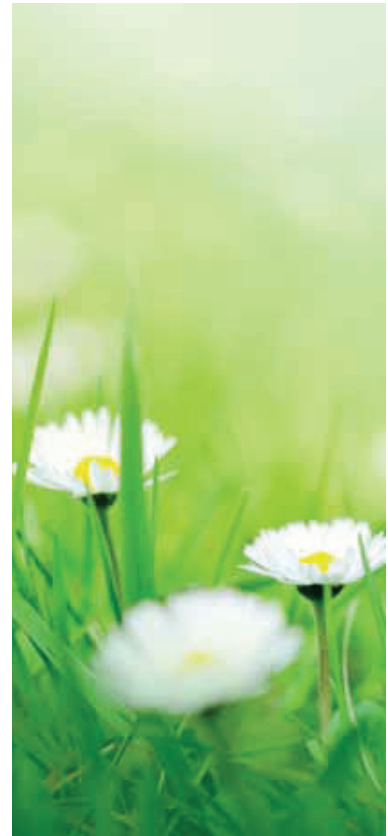
## Entirely custom-made

Harol offers you the choice of any **colour**. Choose from the full range of **RAL colours** or opt for one of the **prestigious structured paints**.

You can also choose from the extensive collection of **acrylic fabrics** which are available in a broad spectrum of colours and designs.

## Durable materials

Systems intended for outdoor use must be shockproof. The SL400 is made from high-quality **corrosion-resistant materials**. They have protective **coatings** and, like all Harol sun protection systems, they are **CE certified**. Durability guaranteed – which is why you will enjoy at least a **5-year warranty**.



Storelight

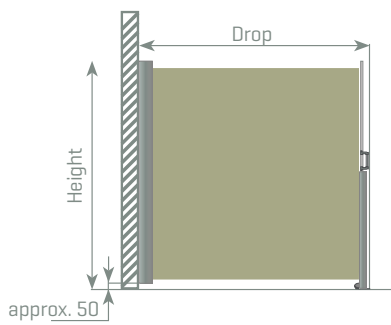
Veranda sunblinds



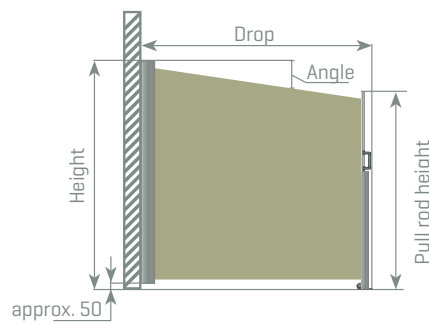




## Straight



## Oblique



Operation	Manually using a built-in coiled spring	
Colours	· All RAL colours and structured paints are possible	
Fabrics	· Acrylic fabrics · Polyester fabrics	
Dimensions	<b>STRAIGHT</b>	<b>OBLIQUE</b>
Min. height <small>[incl. 50 mm from the ground]</small>	1350 mm	1450 mm
Max. height <small>[incl. 50 mm from the ground]</small>	2150 mm	2550 mm
Min. drop	1000 mm	1000 mm
Max. drop	4000 mm	4000 mm
Min. height pull rod		600 mm
Max. height pull rod		2400 mm
Angle		5° - 15°

### Would you like more information about Harol side wind and sun awnings?

- Then have a look at [www.harol.eu](http://www.harol.eu)
- Or contact your Harol partner without any obligation.  
You will find the necessary details on the back of this brochure.