



BX260



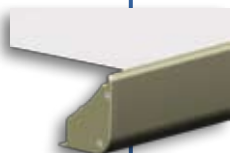
PRODUCT DATA SHEET

BX260 Folding arm awning

Design and implementation



box



extension pole



arms

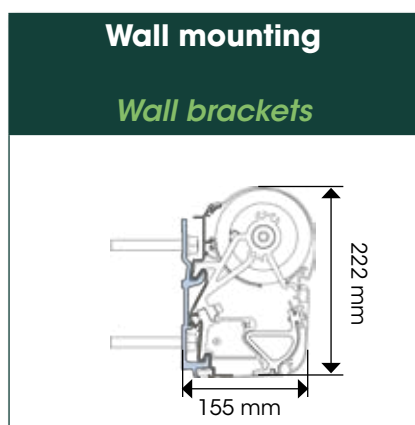
The BX260 has a fully enclosed box, which makes it suitable for installation in locations that are not protected against rain or wind. This ensures that the fabric will remain attractive much longer. The box is especially compact thanks to its limited depth, and it features a supporting back profile to which the folding arms, the supports and the roller tube are attached. Two folding arms are fitted for widths up to 6 metres. Awnings with widths of 6 to 7 metres have three arms, and coupled awnings (with widths up to 12 metres) are fitted with four arms. Each of the arms has two integrated tension springs to ensure many summers of useful life. Just as with all Harol solar shading, rust isn't given a chance. The box and extension pole are made from extruded, powder-coated aluminium, and all fastening materials are made from high-quality stainless steel.

The key features of the BX260

- width up to 7 m in one section or 12 m in two sections
- compact box shape
- fully enclosed box with drip rail
- extension pole with integrated drain
- optional valance

Mounting options

Mounting takes place simply by hooking the folding arm awning into wide wall brackets that are attached beforehand. The number of brackets depends on the width of the folding arm awning.



Dimensions

As with many Harol products, these folding arm awnings are made to measure.

Width

- minimum: depends on the selected drop
 - with electrical operation: drop + 500 mm
 - with rod mechanism: drop + 520 mm
- maximum: 7 m with a single section or 12 m with two sections
- two BX260 folding arm awnings can be coupled for a maximum total width of 12 m



Drop

- per 0.5 m
- minimum: 1.5 m
- maximum: 3.5 m

10° ≤ pitch ≤ 35° • A = drop • B = height difference • minimum mounting height 2.5 m

A (mm)	B (mm)
1500	260
2000	347
2500	434
3000	521
3500	608

A (mm)	B (mm)
1500	860
2000	1147
2500	1434
3000	1721
3500	2008

Weight approx. 14 kg per metre of width



Fabric

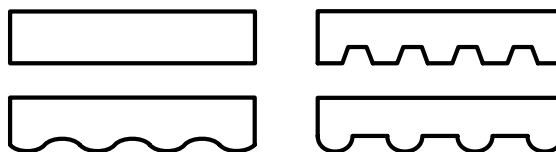
The fabric is protected over the entire width of the awning by a fabric roller support profile, which ensures that it is concealed from sight and safely stored in the box. The inner surface of this profile is covered with a plastic anti-wear coating. This ensures good fabric guidance and extends the life of the fabric.

Fabric type: acrylic

- composition:** dope dyed acrylic fibre
- colours:** fantasy colours and solid colours according to the samples book
- thickness:** approx. 0.5 mm
- properties:** treated to resist rotting, resistant to fungal growth, and dirt-shedding

Valance

- optional accessory
- choice of four types
- standard height: 250 mm (other heights possible)



Operation



two choices of operating system:

- manual operation with a rod mechanism
- electrical operation using an integrated tubular motor controlled by a conventional switch

options:

- motor with integrated receiver for operation with a wall-mounted or hand-held transmitter
- wind/sun control unit

