

PRODUCT DATA SHEET

PR200 Folding arm awning

Design and implementation

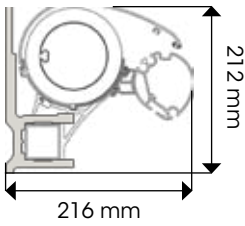
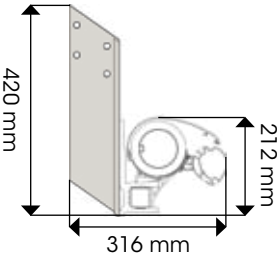
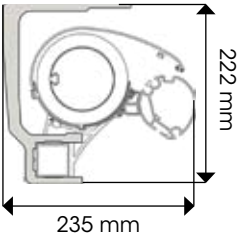


The box construction depends on the selected model. The PR210 has an open box, which is an excellent choice for mounting below a balcony or overhang where the fabric does not require additional protection. The PR220 has a semi-enclosed box that protects the fabric along the upper surface. The fully enclosed box of the PR230 provides optimal fabric protection against rain and wind and creates an attractive overall package. The aluminium end covers of the extension pole also provide the perfect finishing touch. A round extension pole with valance is provided in the standard version. A high extension pole is available as an option. The box and extension pole are made from extruded, powder-coated aluminium, and all fastening materials are made from high-quality stainless steel.

- The key features of the PR200 series**
- width up to 7 m in one section or 12 m in two sections
 - several types of boxes available to suit various mounting situations
 - optional high extension pole for complete concealment of the folding arms
 - valance fitted as standard
 - optional Variovalance for protection against low-angle sun

Mounting options

The folding arm awning is mounted using robust adjustable wall brackets discreetly concealed behind the box. The number of wall brackets depends on the width of the folding arm awning.

Wall mounting	Rafter mounting	Ceiling mounting
<i>Wall brackets</i>	<i>Rafter brackets*</i>	<i>Ceiling brackets</i>
		

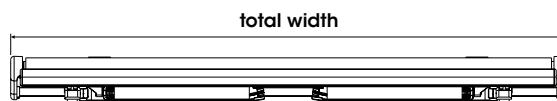
* Always in combination with wall brackets

Dimensions

As with many Harol products, these folding arm awnings are made to measure.

Width

- minimum: depends on the selected drop
 - with electrical operation: drop + 410 mm
 - with rod mechanism: drop + 420 mm
- maximum: 7 m with a single section or 12 m with two sections
- two PR200 folding arm awnings can be coupled for a maximum total width of 12 m



Drop

- per 0.5 m
- minimum: 1.5 m
- maximum: 3.5 m

Weight

- PR210: approx. 13 kg per metre of width
- PR220: approx. 14 kg per metre of width
- PR230: approx. 14 kg per metre of width

10° ≤ pitch ≤ 45° • A = drop • B = height difference • minimum mounting height 2.5 m

A (mm)	B (mm)	A (mm)	B (mm)
1500	260	1500	1061
2000	347	2000	1414
2500	434	2500	1768
3000	521	3000	2121
3500	608	3500	2475

Fabric

The fabric of the PR230 is protected over the entire width of the awning by a fabric roller support profile, which ensures that it is concealed from sight and safely stored in the box. The inner surface of this profile is covered with a plastic anti-wear coating. This ensures good fabric guidance and extends the life of the fabric.



Fabric type: acrylic

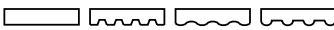
- composition:** dope dyed acrylic fibre
- colours:** fantasy colours and solid colours according to the samples book
- thickness:** approx. 0.5 mm
- properties:** treated to resist rotting, resistant to fungal growth, and dirt-shedding
- folding arm awning dimensions:** the maximum width of a PR awning with acrylic fabric is 7 m (one section)

Fabric type: polyester*

- composition:** polyester fibre coated with PVC
- colours:** solid colours according to the samples book
- thickness:** 0.32 mm
- properties:** outstanding ventilation properties, protected against UV radiation, easy cleaning
- folding arm awning dimensions:** the maximum width of a PR folding arm awning with polyester fabric is 5 m

* Possible with PR210 and PR220 but not PR230

Valance

- optional accessory
- choice of four types 
- standard height: 250 mm (other heights possible)

Variovalance

- optional accessory
- this is a rod-operated, roll down drop valance
- provides protection against low-angle sun
- maximum height: 1.5 m with acrylic fabric or 2 m with polyester fabric

Operation



two choices of operating system:

- manual operation with a rod mechanism
- electrical operation using an integrated tubular motor controlled by a conventional switch

options:

- motor with integrated receiver for operation with a wall-mounted or hand-held transmitter
- wind/sun control unit

