

# HAROL

WE BELIEVE IN NATURAL COOLING



# Coolscreen Solar

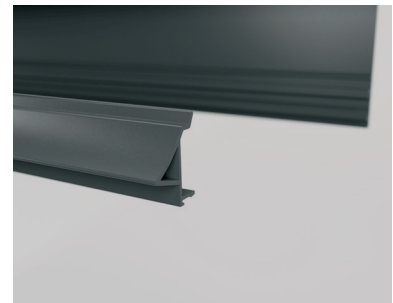
# Coolscreen 8 Solar, sustainable cooling thanks to the sun

Discover our latest innovation in the screens range: Coolscreen 8 Solar, a compact sun protection screen that runs on solar energy. The Coolscreen 8 Solar stands for premium quality and classy design, ready to cool any building the natural way to the max. Good for your health, the environment and your energy bills. Harol Coolscreen 8 Solar operates completely autonomously all year round. The powerful battery has a large storage capacity and is integrated into the box as standard, maintaining its sleek character. Coolscreen 8 Solar fits onto existing windows as well as being the perfect solution for new build projects without structural intrusions. Enjoy the ultimate in comfort, thanks to the sun!



## Unrivalled sustainable design

Coolscreen 8 Solar comes with a stylish, cubist box which is available in 2 sizes, depending on the dimensions of the window. In addition, the screen is an ingenious and screwless snap-fit design which only requires a minimal number of parts. A paragon of sustainable design.



## 100% green solar energy

The Coolscreen 8 Solar runs on 100% green solar energy thanks to the very sleek and aesthetically pleasing solar panel and the powerful associated 2.2 Ah battery. Even facing north, a single solar panel\* is all you need. So even on a less sunny day, your screen keeps working courtesy of the energy stored in the battery. What's more, you get a 7-year warranty on the motor, the battery and the solar panel.

## Ultra-taut fabrics

Harol perfected the zip guide profile which consists of a polymer coextrusion which makes the profile resistant to extreme temperatures and continues to work to optimum effect at all times. The zip guide profile ensures the fabric is perfectly taut across the entire length. The sleek bottom lath has been weighted so the fabric remains perfectly taut even in horizontal position.

## Silent operation

Coolscreen 8 Solar comes with noiseless operation thanks to the optimised X-glide technology, a profile that cancels out the resonance inside the box.

\* The Somfy Solar application easily allows the fitter to create a tailored diagnostic report to calculate the performance of the Coolscreen 8 Solar for the installation.

## Natural cooling thanks to Coolscreen 8 Solar

- ▶ 100% solar power, 1 unobtrusive solar panel
- ▶ Powerful 2.2 Ah battery, works all year round
- ▶ Minimalist, screwless design
- ▶ Ultra-taut fabrics, silent operation
- ▶ Window areas up to 12 m<sup>2</sup>
- ▶ Quick installation without structural intrusions
- ▶ Compact 90 mm or 110 mm box that perfectly fits inside the window opening

## Available fabrics and technical features

	Serge Ferrari			Copaco		
	Soltis Horizon 86	Soltis Perform 92	Soltis Opaque B92	Serge 600	Serge 1%	Serge Blockout Lunar
Type	Polyester	Polyester	Polyester	Glass fibre	Glass fibre	Glass fibre
Approx. weight (g/m <sup>2</sup> )	380	420	650	535	620	660
Approx. thickness (mm)	0.43	0.45	0.60	0.55	0.80	0.78
Transmission of direct sunlight	14%	3%	0%	5%	1%	0%
Solar transmission factor G <sub>tot</sub> values**	0.12 - 0.22	0.05 - 0.16	0.01 - 0.05	0.08 - 0.12	0.06 - 0.09	0.02 - 0.05

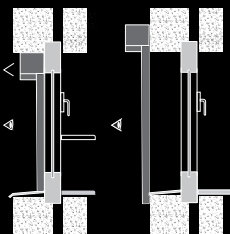
\*\* The lower the g-value, the higher the thermal insulation.

# Premium quality

## Aesthetic perfection, technical ingenuity.

### Installation

- ▶ The installation of the Harol Coolscreen 8 Solar does not require any structural instructions or electrical work. It is fitted entirely on the outside of the home. This makes the screen perfectly suited for renovation and passive build projects.
- ▶ So much so you do not even need a power socket. All of which means the screen is easy to fit into place, even if you are not home.

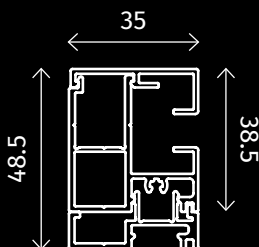


### Technical ingenuity

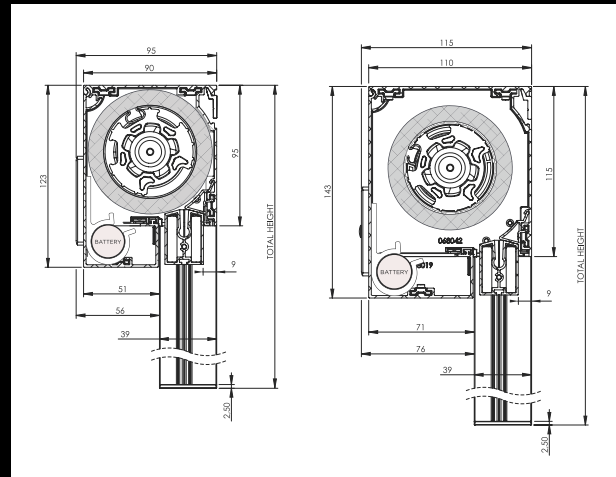
- ▶ The innovative motor bracket and Cable Control Technology ensure faster and more efficient installation and after-service.
- ▶ Harol Coolscreen 8 Solar features Somfy's latest-generation io control as standard. This ultra-efficient screen motor works day and night and in all weather conditions. The motor features an integrated Somfy io-homecontrol receiver.
- ▶ Wide choice of high-tech fabrics that provide optimum sun protection and guarantee visibility to the outside according to the user's needs.

### Design

- ▶ Minimalist rectangular box made from extruded aluminium.
- ▶ One snap-on guide rail in one compact 35 mm size which can be used for various installation applications.



- ▶ Box comes in 2 sizes: 90 x 123 mm and 110 x 143 mm. The 90 mm box perfectly fits into the window opening, making it seamlessly blend with the facade.



- ▶ Narrow 37 mm bottom lath which cleverly hides the weld seam and goes completely inside the box when closed.
- ▶ Aesthetic perfection thanks to screwless design of the box as well as the guide.

### Sustainable

- ▶ Durable quality system tested at 15 000 cycles = 27 years of being opened and closed once a day.
- ▶ Complies with European standard EN13561: wind class 3.
- ▶ 100% green power. When fully charged, the screen will open and close twice a day for 30 days.
- ▶ Box and components are powder coated in our own eco-friendly paint shop.
- ▶ All of Harol's production processes are 100% powered by green wind energy.
- ▶ Minimal number of parts for a maximum of applications.
- ▶ Fully snap-fit design for efficient end-of-life recycling.

### Servicing

- ▶ The box and profiles need to be cleaned on a regular basis using tepid water and a mild detergent, then rinsed thoroughly with tap water. Do not use corrosive or aggressive products, scouring pads or other abrasives.
- ▶ The closed box ensures the fabric is fully protected against dirt and soiling.

## Coolscreen 8 Solar



### STRUCTURE / DESIGN

Type	Surface-mounted
Max. width	4 m
Max. height	3 m
Max. surface area	12 m <sup>2</sup>
Box	Rectangular
Box dimensions	90 x 123 mm 110 x 143 mm

### CONTROLS

IO motor	Standard
RTS motor	Optional
Wired	N/A
Manual (winch handle)	N/A

### WIND RESISTANCE

Beaufort	Up to Beaufort level 6
----------	------------------------

### OPTIONS

Sun and wind sensor	Optional
---------------------	----------

### SUSTAINABILITY

X-glide anti-wear fabric technology	Standard
Tested at 15,000 cycles	Standard



### Applications

Hospitality venues, hotels, homes, flats, residential care homes, etc.



### Warranty

Extended 7-year warranty terms on the battery and solar panel. 5-year warranty on all other parts.



### Controls

Harol Coolscreen 8 Solar comes standard with an io control which can be connected to the io homecontrol system for home automation.

[io-homecontrol.com](https://io-homecontrol.com)



Harol reserves the right to make technical changes to the products detailed above.

item no. 068364 • 03/2023

 harolworldwide  
 harolworldwide

 company/harol-consyst-nv  
 +32 (0)13 38 01 11

Industrieterrein 1/3, Industriezone  
 Webbekom 1025, 3290 Diest, Belgium

**HAROL**  
 WE BELIEVE IN NATURAL COOLING

harol.com